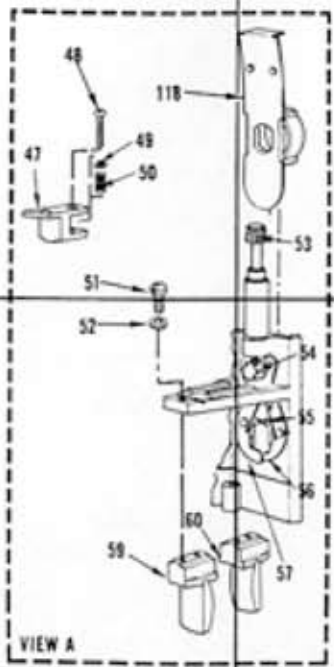
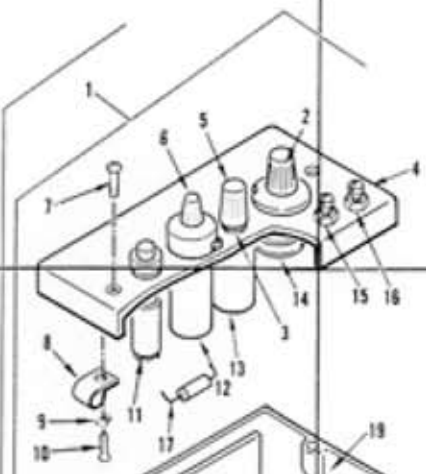
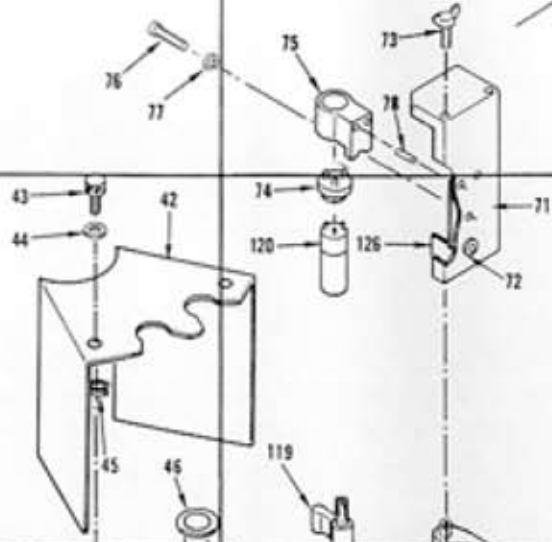
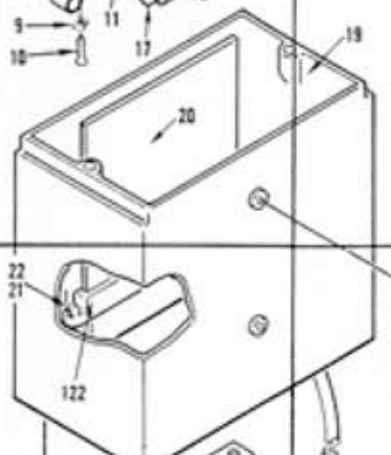
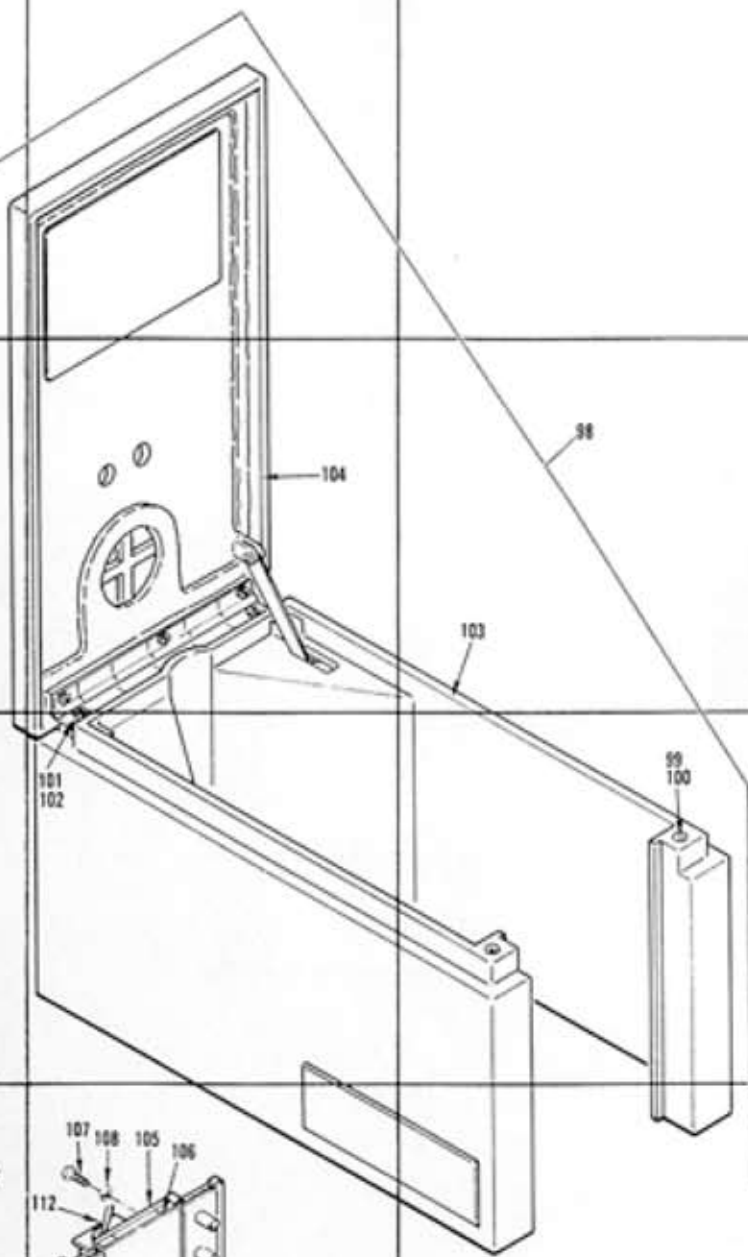
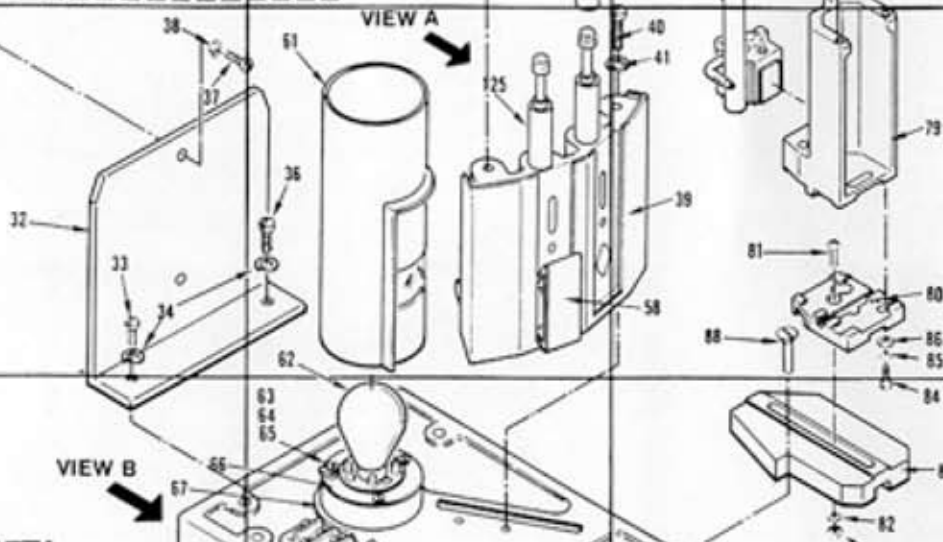
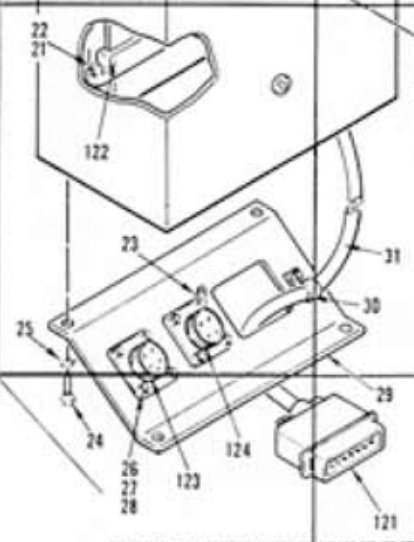
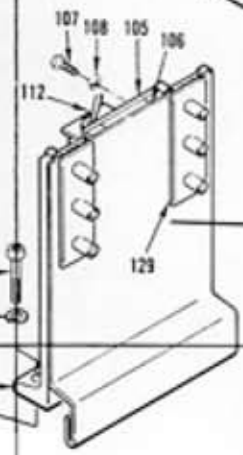
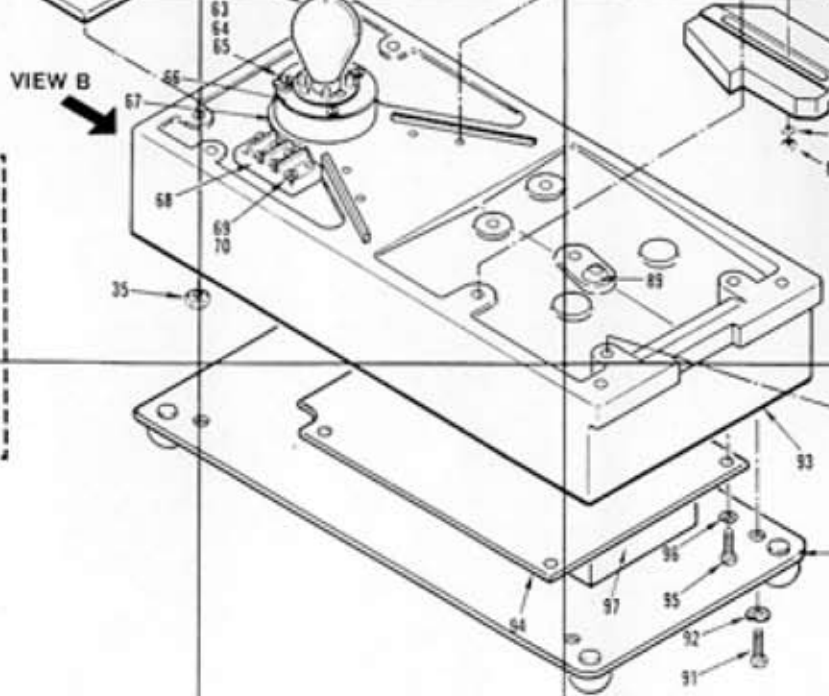
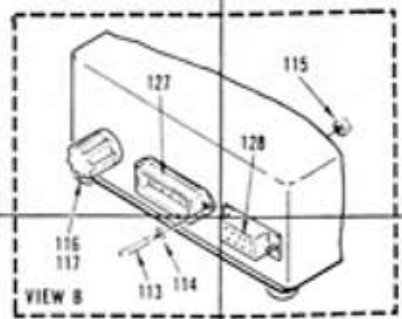
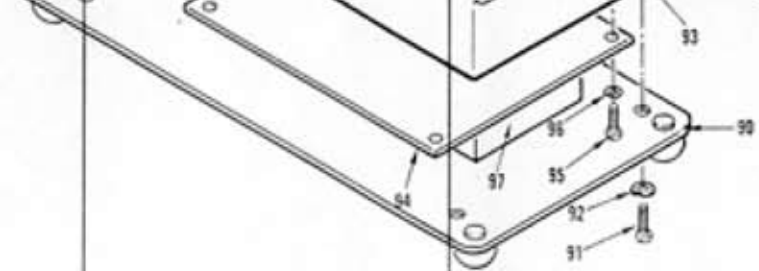


A**B****C****D****E**

SC Colorimeter

REVISION P

1**2****3****4****5****6**